
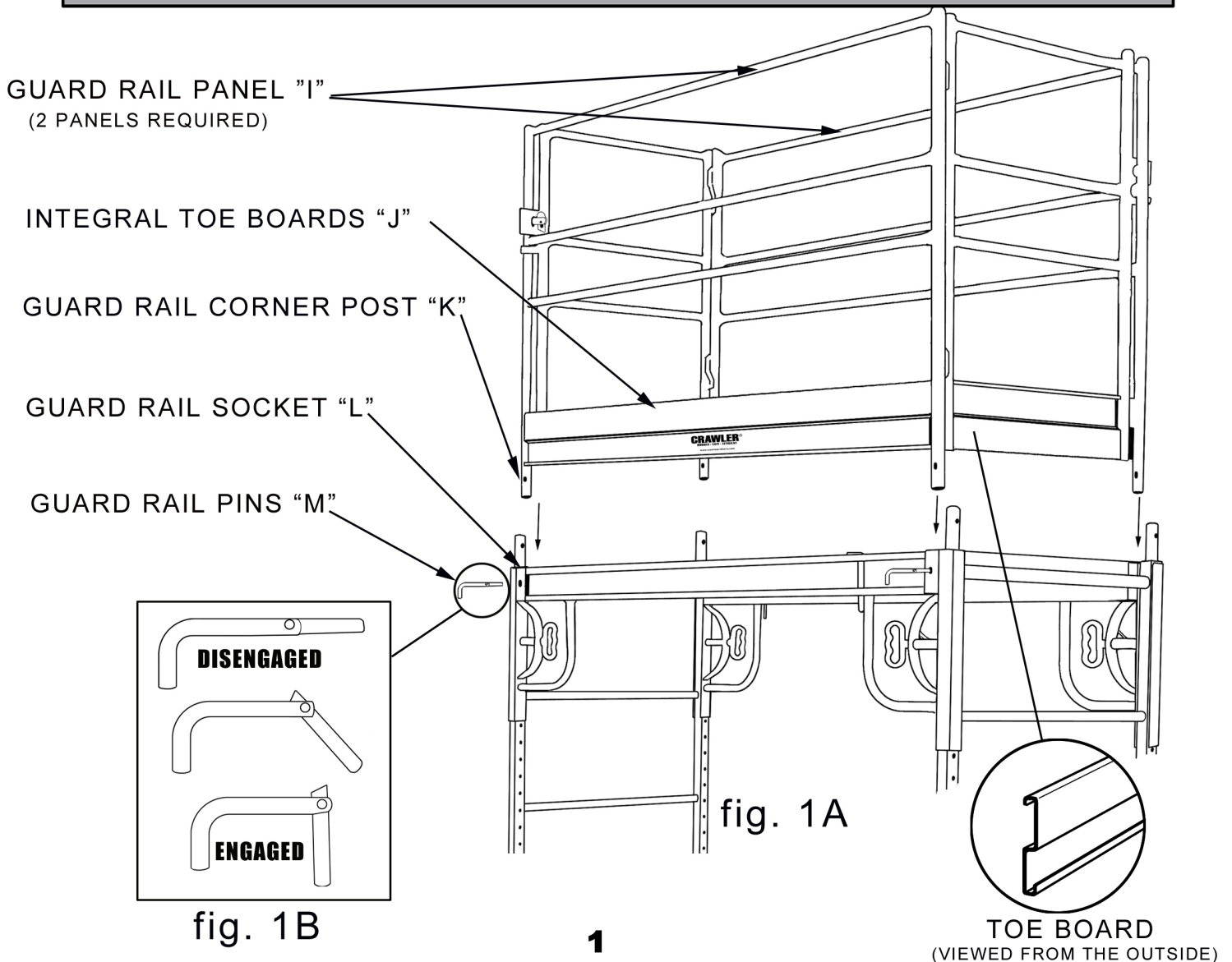


CRAWLER® GUARD RAIL INSTALLATION

NOTE: OSHA requires the use of guard rails when the platform is 10 feet or higher, however **Crawler® Products** recommends the use of guard rails when the platform height exceeds 4 feet.

- 1) Install the four guard rail corner post K into the guard rail sockets L found on the trusses, as shown in fig. 1A. Make certain the two guard rail panels are installed so the end gates swing inward and the label  is facing the inside of the guard rail system.
- 2) Install one guard rail pin M through each of the four sockets L and guard rail corner post K. To make insertion of guard rail pins easier, manually elevate the guard rail slightly to align holes in corner post K and socket L. Proper alignment will provide a 1/4" clearance between the toe boards and platform, allowing the end gate to operate properly.
- 3) Make certain the four pins M are engaged as shown in fig. 1B.

! WARNING The guard rail pins must be used in order for the guard rail system to operate properly and serious injury or death could occur if the guard rails are not secured to the scaffold.



CRAWLER® GUARD RAIL OPERATION

- 1) The **CRAWLER®** 200 series scaffolds are equipped with a trap door located in the platform. Always board and dismount the scaffold from the inside of the frame using the trap door, when present. When no trap door is available climb the outside of the end frame, opening the end gate on the guard rail, as shown in fig.2A.
- 2) Make certain the gate is securely locked as shown in fig. 2B.

⚠ WARNING GATE MUST SWING IN

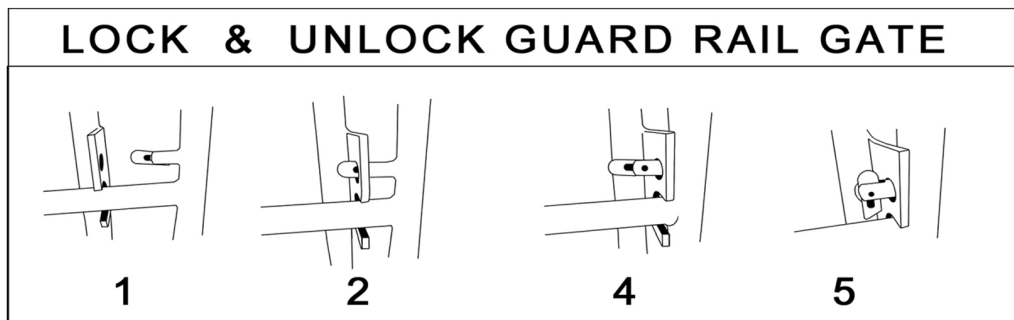
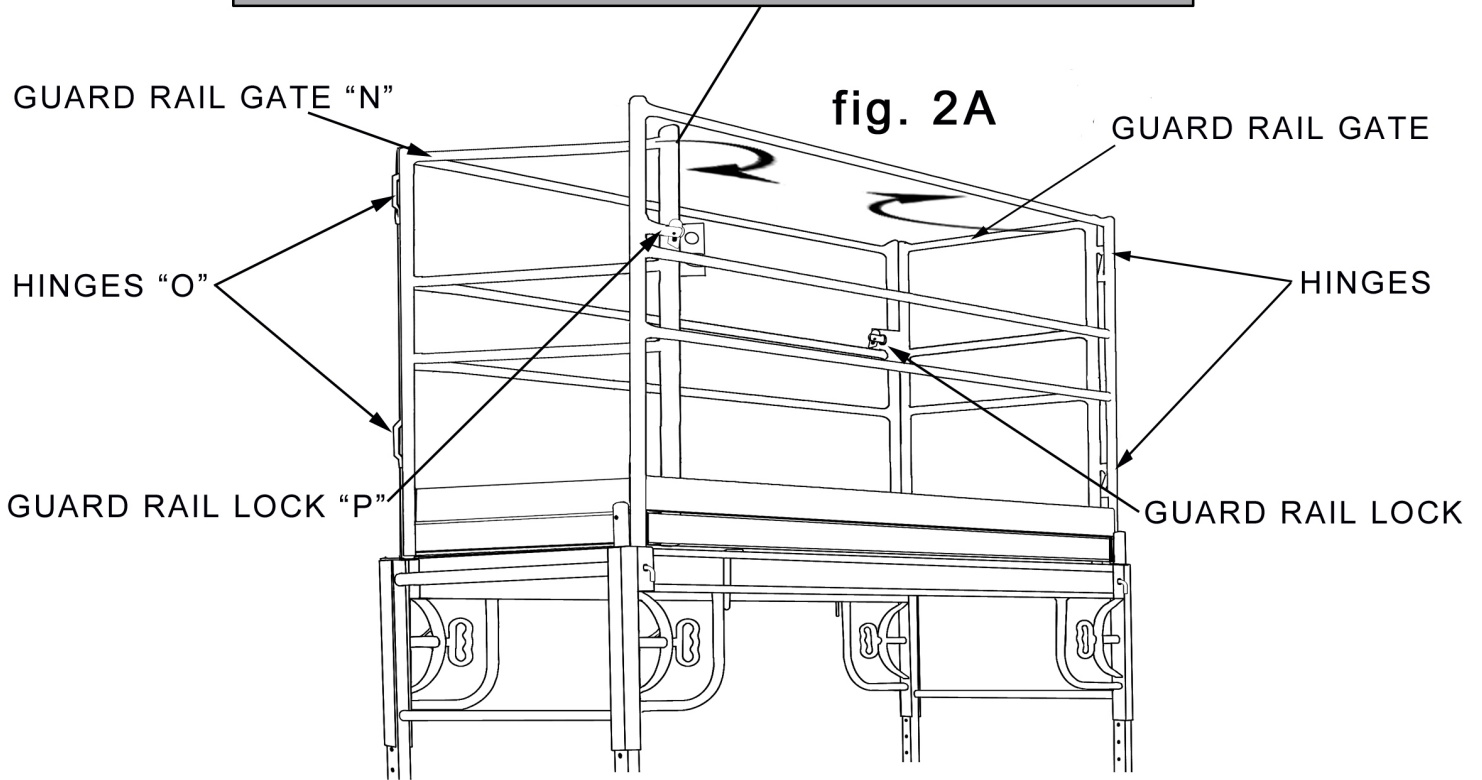


fig. 2B